



Bobcat®

ATTACHMENTS

STUMP GRINDERS



One Tough Animal™

STUMP GRINDERS – SPECIFICATIONS

Standard features

- The work group is mounted at an angle of 90 degrees to the operator for excellent visibility to the cutting area, giving the operator the same wide view as a pull-behind stump grinder.
- The swing cylinder design generates an impressive arc. This allows the operator to cut large stumps without repositioning.
- Rubber deflector shields and screening provide additional operator comfort and protection from wood chips.
- The unique valve design controls the swing circuit speed to prevent the cutting wheel from stalling in the cut.
- Diverse cutting heights gives better access for a variety of size stumps.

Applications

- Forestry
- Parks
- Landscaping
- Municipalities

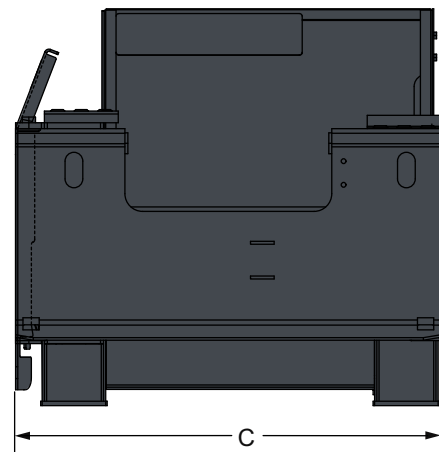
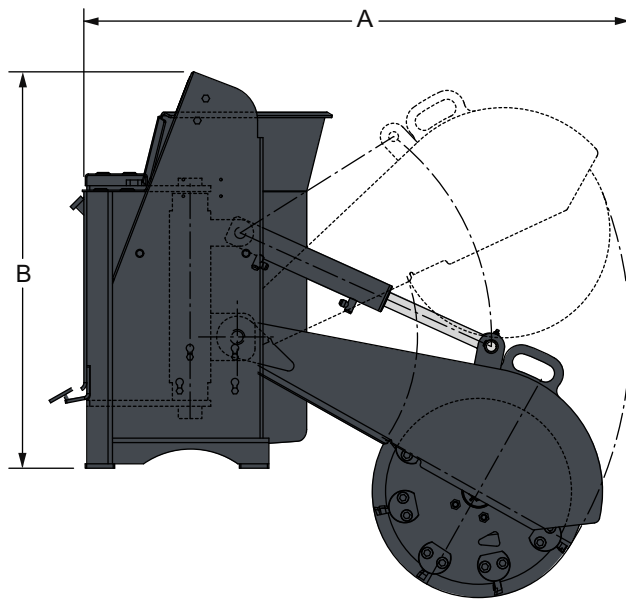
	Item number	Compatible with loader
Stump grinder SG30	7100641	MT55, S70
Stump grinder SG60	6808034	S160, S160H, S175, S175H, S185, S185H, S205, S205H, S220, S250, S300, S330, S630, S630H, S650, S650H, S770, A300, A770, T190, T190H, T250, T300, T320, T650, T650H, T770, T870
Stump grinder SGX60	7112201	S175H, S185H, S220H, S250H, S300H, S330H, S630H, S650H, S770H, S850H, A300H, A770H, T190H, T250H, T300H, T320H, T650H, T770H, T870H

Weights and dimensions

	Operating weight (kg)	Shipping weight (kg)	Overall width (C) (mm)	Overall height (B) (mm)	Overall length (A) (mm)
Stump grinder SG30	209	218	914	851	1175
Stump grinder SG60	445	472	1670	1509	2012
Stump grinder SGX60	451	479	1676	1509	2012

Characteristics and performance

	Max cutting height (mm)	Max cutting depth (mm)	Max cutting angle (°)	Grinder reach at ground level	Wheel diameter (mm)	Number of teeth	Required flow (l/min)
Stump grinder SG30	279	279	90	1175	457	16	38–53
Stump grinder SG60	806	381	80	1880	686	32	64–121
Stump grinder SGX60	806	381	80	1880	686	32	95–151



Specifications and design are subject to change without notice. Pictures of Bobcat products may show other than standard equipment.



Bobcat®

www.bobcat.eu