



Bobcat®

ATTACHMENTS
TILT-TATCH



One Tough Animal™

TILT-TATCH – SPECIFICATIONS

Standard features

- Connects as an interface between the Bob-Tach™; and attachment.
- Rotates right or left 15 degrees from center.
- Hydraulically controlled from loader seat.
- Keeps load level on uneven terrain.
- Cuts level path out of sidehill.
- Digs drainage ditches with the corner of the bucket.

Applications

- Construction
- Landscaping

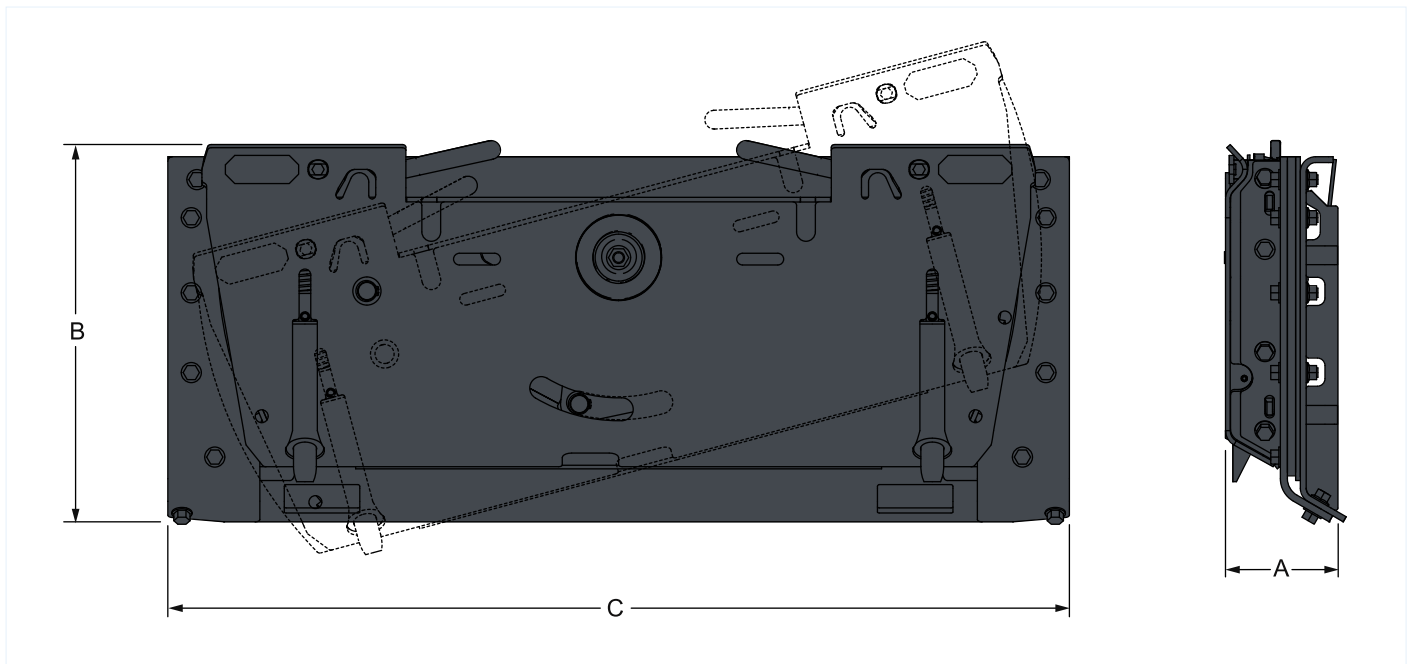
	Item number	Compatible with loader
Tilt-Tatch™	7101600	S130, S150, S160, S175, S185, S205, S220, S250, S630, S650, T140, T190

Weights and dimensions

	Operating weight (kg)	Shipping weight (kg)	Overall width (C) (mm)	Overall height (B) (mm)	Overall length (A) (mm)
Tilt-Tatch™	145	145	1219	518	109

Characteristics and performance

	Rotation (°)
Tilt-Tatch™	±15



Specifications and design are subject to change without notice. Pictures of Bobcat products may show other than standard equipment.



Bobcat®

www.bobcat.eu