



ATTACHMENTS  
GRADERS



***One Tough Animal™***

# GRADERS – SPECIFICATIONS

## Main features

- Blade has a reversible cutting edge that is also easily replaceable.
- Bob-Tach™ mounted.
- Blade manually adjusts sideways up to 30 cm either way for the Grader 84 and hydraulically 33 cm either way for the Grader 96 and Grader 108.
- Optional laser control package for precise grade control in flatwork contracting.
- Attachment control kit must be installed on Bobcat loader to operate attachment.
- 3 cylinders for precise positioning of the blade

## Applications

- Construction
- Road Development
- Landscaping

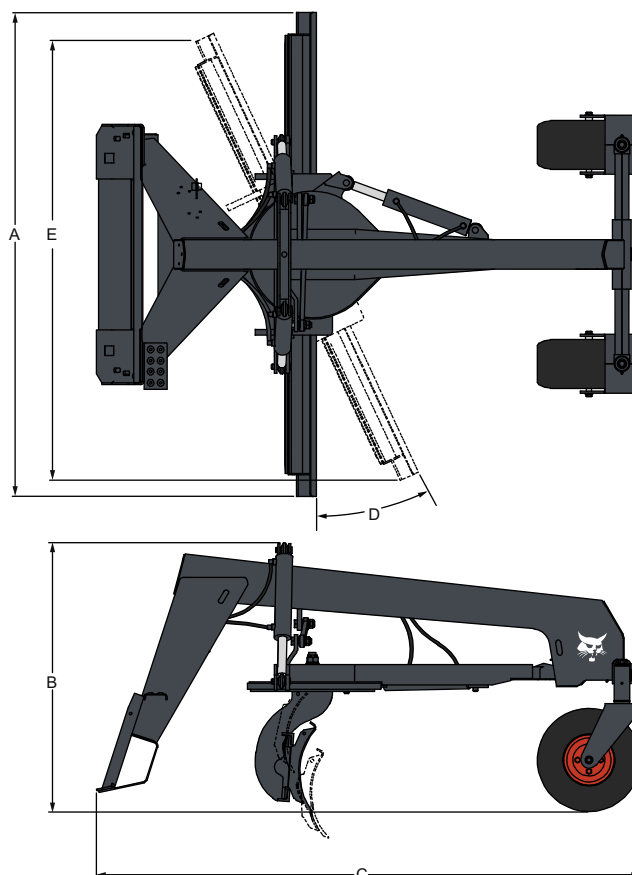
	Item number	Compatible with loader
Grader 84	6906480	S130, S150, S160, S175, S185, S205, S220, S250, S300, S330, S630, S650, S770, A300, A770, T140, T190
Grader 96	7160005	S300, S330, S770, S850, A300, A770, T250, T300, T320, T650, T770, T870
Grader 108	7182060	S300, S330, S770, S850, A300, A770, T300, T320, T770, T870

## Weights and dimensions

	Operating weight (kg)	Shipping weight (kg)	Overall width (A) (mm)	Overall height (B) (mm)	Overall length (C) (mm)
Grader 84	624	624	2134	1187	2400
Grader 96	1264	1264	2438	1522	2642
Grader 108	1298	1298	2743	1522	2642

## Characteristics and performance

	Blade angle (D) (Right or Left) (°)	Blade width fully angled (E) (mm)	Blade side-shift	Blade side-shift Left/Right (mm from center)
Grader 84	±25	1933	Manual	305
Grader 96	±30	2126	Hydraulic	330
Grader 108	±30	2380	Hydraulic	330



Specifications and design are subject to change without notice. Pictures of Bobcat products may show other than standard equipment.



# Bobcat®

[www.bobcat.eu](http://www.bobcat.eu)