



ATTACHMENTS
SNOWBLOWER



One Tough Animal™

SNOWBLOWER – SPECIFICATIONS

Main features

- There are four models with several different widths to perfectly match with your Bobcat loader.
- The snowblowers feature direct-drive hydraulic motors for the fan and auger; eliminating high-wear items such as gearboxes, chains, sprockets, and shear pins.
- Chute rotation is achieved by a chain and sprocket system, eliminating loose, tangled and frozen cables.
- All models feature an adjustable fan opening, allowing the operator to control the amount of air and snow entering a more efficient 15cm deep fan.
- A new valve block is mounted directly on the fan motor and results in minimal reduction of hydraulic pressure and reduces the number of hydraulic hoses and elbows on the snowblower; no hoses on the operator entry/exit side of the attachment ensure safer operation.

Applications

- Snow removal
- Municipalities
- Road maintenance

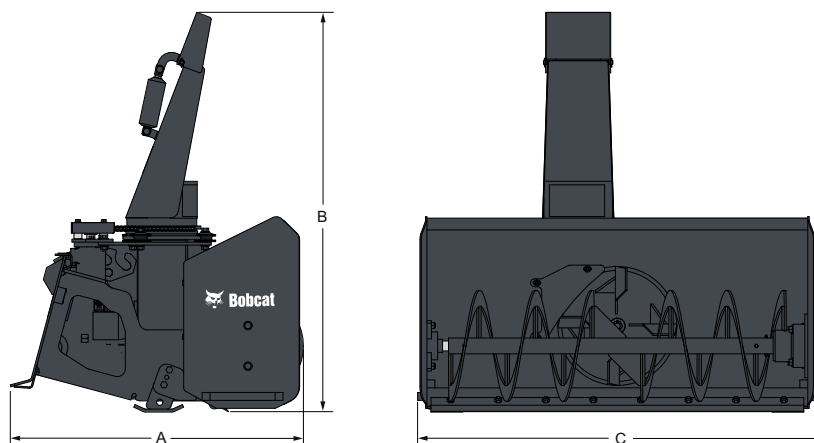
	Item number	Compatible with loader
48 inch SB150 Snowblower	6958889	S70
60 inch SB200 Snowblower	6907779*MOT	S130, S150, S160H, S175, S175H, S185H, T140
66 inch SB200 Snowblower	6907778*MOT	S130, S150, S160H, S175, S175H, S185H, S205, S205H, S220, S220H, S250, S250H, S300, S300H, S330, S330H, T140, T190, T190H
72 inch SB200 Snowblower	6907777*MOT	S150, S160H, S175, S175H, S185H, S205, S205H, S220, S220H, S250, S250H, S300, S300H, S330, S330H, T140, T190, T190H, T250, T250H, T300, T300H, T320, T320H
72 inch SB240 Snowblower	6907445*MOT	S160H, S175H, S185H, S205H, S220H, S250H, S300H, S330H, T190H, T250H, T300H, T320H
84 inch SB240 Snowblower	6907444*MOT	S220H, S250H, S300H, S330H, A300H, T250H, T300H, T320H
72 inch SBX240 Snowblower	7112890	S220H, S250H, S300H, S330H, A300H, T250H, T300H, T320H
84 inch SBX240 Snowblower	7108223	S220H, S250H, S300H, S330H, A300H, T250H, T300H, T320H

Weights and dimensions

	Operating weight (kg)	Shipping weight (kg)	Overall width (C) (mm)	Overall height (B) (mm)	Overall length (A) (mm)
48 inch SB150 Snowblower	211	211	1306	1280	940
60 inch SB200 Snowblower	356	356	1587	1549	978
66 inch SB200 Snowblower	367	367	1740	1549	978
72 inch SB200 Snowblower	379	379	1892	1549	978
72 inch SB240 Snowblower	458	458	1892	1664	1099
84 inch SB240 Snowblower	485	485	2197	1664	1099
72 inch SBX240 Snowblower	474	474	1892	1662	1128
84 inch SBX240 Snowblower	501	501	2197	1662	1128

Performance & Characteristics

	Fan diameter (mm)	Auger diameter (mm)	Chute rotation (°)	Deflector control	Throw distance (up to (m))	Cutting edge (mm x mm)	Intake diameter (mm)
48 inch SB150 Snowblower	381	356	276	Hydraulic	7.6	9 x 76	584
60 inch SB200 Snowblower	508	356	270	Hydraulic	12.2	13 x 102	635
66 inch SB200 Snowblower	508	356	270	Hydraulic	12.2	13 x 102	635
72 inch SB200 Snowblower	508	356	270	Hydraulic	12.2	13 x 102	635
72 inch SB240 Snowblower	610	457	270	Hydraulic	12.2	13 x 102	876
84 inch SB240 Snowblower	610	457	270	Hydraulic	12.2	13 x 102	876
72 inch SBX240 Snowblower	610	470	270	Hydraulic	13.7	13 x 102	850
84 inch SBX240 Snowblower	610	470	270	Hydraulic	13.7	13 x 102	850



www.bobcat.eu